

Premium Meal Delivery Carts

MDC Series

Designed to be more than just quiet, our MDC Series Premium Meal Delivery Carts feature sound-dampening double-panel doors, Performa balloon casters, vibration-reducing material at door bumpers and tray guide ladder attachment points.

Standard premium features include a molded polymer top with built-in 4-sided top rail, full-perimeter bumper system, lift style floor drain, and a new lockable sliding door latch, all at no additional cost.

Available in a variety of configurations to meet your needs, our quiet MDC series carts offer back-of-the-house durability and front-of-the-house styling!



Model
MDC16S

Elevate Your Beverage Service with our Beverage Caddy!



Standard Features

Design/Construction

- **NEW!:** Integrated full-length door handle design for enhanced ergonomics.
- **NEW!:** Lockable sliding door latch prevents unauthorized access to patient meals (1 per bay/door).
- **NEW!:** Flag style door hinges for improved door and hinge field serviceability.
- Side-load (2 trays per shelf) and end-load (1 tray per shelf) configuration available.
- Cart capacities range from 10 to 36 trays.
- Non-marking full-perimeter polymer bumper system.
- Sleek molded polymer top with built-in 4-sided top rail that doubles as a workspace.
- Louvered side panels facilitate internal heat dissipation.

Quiet Transport

- Vibration-reducing material at door bumpers and tray guide ladder attachment points.
- Double-panel doors with internal sound-dampening material, 270° swing, and magnetic latching when fully opened or closed (180° middle door swing on 3-door models).
- Greaseable, non-marking 6" (15 cm) Performa balloon casters (locking swivel/non-locking rigid) for smooth travel over a variety of floor surfaces. MDC24S, MD28S, MDC32S, MDC36S, and all MDC**E models include 6-wheel caster configuration standard to ensure optimum maneuverability. In addition, 8" casters are standard on MDC32S and MD36S models.

Easy to Use

- Adjustable tray guides with 2.0" (5 cm) wide slides accommodate both 15" (38 cm) x 20" (51 cm) and 14" (36 cm) x 18" (46 cm) size trays and are fully removable for easy cleaning.
- Sloped floor with lift style drain (1 per bay/door).
- Full-width stainless steel push handle for maximum control.
- Wheel-ahead 1.0" (3 cm) caster offset for easy elevator entry exit (2 and 3 door models only).

- Stainless-steel construction with skid-resistant base reduces movement.
- Shown with optional drip trays and condiment bins with lids and dividers.
- Not recommended for cart models taller than 50".
- Sold separately. See website for additional details.

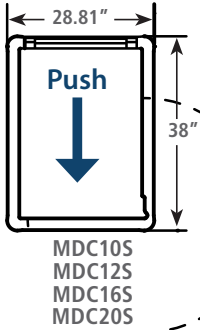
Premium Meal Delivery Carts

MDC Series

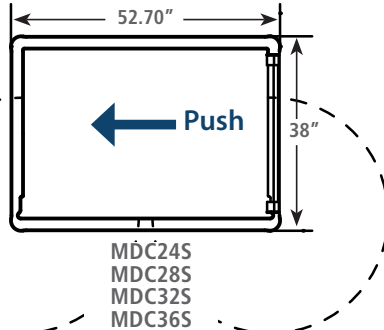
Side-Load Models



Single bay,
2 trays/shelf models



Double bay,
2 trays/shelf models



Double bay models include 6-wheel
caster configuration standard.



Model
MDC10S

Side-Load MDC Cart Models

Available Options
(must be specified when ordering)

Base Model	Tray Capacity	Doors (Bays)	Tray Spacing	Length	Width (Door Clearance)	Height	Cart Weight	Ship Weight	8" Performa Casters ¹	Passthrough Door ²	Tow Hitch ³
<input type="checkbox"/> MDC10S	10	1	4.5" (11 cm)	38.0" (97 cm)	28.8" (73 cm)	42.5" (108 cm)	150 lbs. (68 kg)	193 lbs. (88 kg)	<input type="checkbox"/>	<input type="checkbox"/>	<input type="checkbox"/>
<input type="checkbox"/> MDC10S	10	1	5.5" (14 cm)	38.0" (97 cm)	28.8" (73 cm)	42.5" (108 cm)	150 lbs. (68 kg)	193 lbs. (88 kg)	<input type="checkbox"/>	<input type="checkbox"/>	<input type="checkbox"/>
<input type="checkbox"/> MDC12S	12	1	4.5" (11 cm)	38.0" (97 cm)	28.8" (73 cm)	42.5" (108 cm)	152 lbs. (69 kg)	195 lbs. (88 kg)	<input type="checkbox"/>	<input type="checkbox"/>	<input type="checkbox"/>
<input type="checkbox"/> MDC16S	16	1	4.5" (11 cm)	38.0" (97 cm)	28.8" (73 cm)	49.0" (125 cm)	162 lbs. (73 kg)	205 (93 kg)	<input type="checkbox"/>	<input type="checkbox"/>	<input type="checkbox"/>
<input type="checkbox"/> MDC20S	20	1	4.5" (11 cm)	38.0" (97 cm)	28.8" (73 cm)	58.0" (147 cm)	202 lbs. (92 kg)	244 lbs. (111 kg)	<input type="checkbox"/>	n/a	<input type="checkbox"/>
<input type="checkbox"/> MDC24S	24	2	4.5" (11 cm)	52.7" (132 cm)	38.0" (97 cm)	42.5" (108 cm)	262 lbs. (119 kg)	324 lbs. (147 kg)	<input type="checkbox"/>	<input type="checkbox"/>	<input type="checkbox"/>
<input type="checkbox"/> MDC28S	28	2	4.5" (11 cm)	52.7" (132 cm)	38.0" (97 cm)	44.5" (113 cm)	261 lbs. (118 kg)	325 lbs. (147 kg)	<input type="checkbox"/>	<input type="checkbox"/>	<input type="checkbox"/>
<input type="checkbox"/> MDC32S	32	2	4.5" (11 cm)	52.7" (132 cm)	38.0" (97 cm)	51.0" (130 cm)	295 lbs. (134 kg)	370 lbs. (168 kg)	Standard	n/a	<input type="checkbox"/> ⁴
<input type="checkbox"/> MDC36S	36	2	4.5" (11 cm)	52.7" (132 cm)	38.0" (97 cm)	55.5" (141 cm)	314 lbs. (142 kg)	389 lbs. (176 kg)	Standard	n/a	<input type="checkbox"/> ⁴

¹ 8" (20.3 cm) caster options increase overall cart height by 2" (5.1 cm).

² Push handles on pass through carts are mounted higher for door clearance.

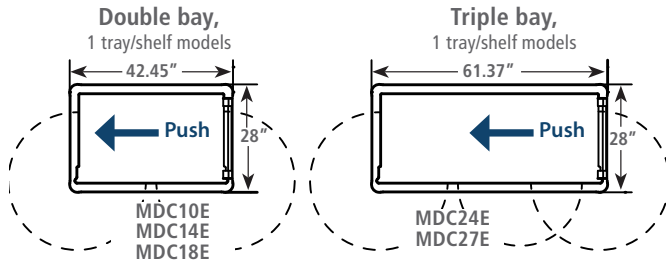
³ Tow a maximum of two carts. Indoor use only.

⁴ Towing larger capacity carts may not be recommended depending on application.

Premium Meal Delivery Carts

MDC Series

End-Load Models



Model
MDC18E

MDC**E models include 6-wheel caster configuration standard.

End-Load MDC Cart Models									Available Options (must be specified when ordering)	
Base Model	Tray Capacity	Doors (Bays)	Tray Spacing	Length	Width (Door Clearance)	Height	Cart Weight	Ship Weight	8" Performa Casters ¹	Tow Hitch ³
<input type="checkbox"/> MDC10E	10	2	5.5" (14 cm)	42.5" (108 cm)	28.0" (71 cm)	44.5" (113 cm)	215 lbs. (98 kg)	267 lbs. (121 kg)	<input type="checkbox"/>	<input type="checkbox"/>
<input type="checkbox"/> MDC14E	14	2	4.5" (11 cm)	42.5" (108 cm)	28.0" (71 cm)	44.5" (113 cm)	215 lbs. (98 kg)	267 lbs. (121 kg)	<input type="checkbox"/>	<input type="checkbox"/>
<input type="checkbox"/> MDC18E	18	2	4.5" (11 cm)	42.5" (108 cm)	28.0" (71 cm)	53.5" (136 cm)	240 lbs. (109 kg)	282 lbs. (128 kg)	<input type="checkbox"/>	<input type="checkbox"/>
<input type="checkbox"/> MDC24E	24	3	4.5" (11 cm)	61.5" (156 cm)	28.0" (71 cm)	49.0" (125 cm)	305 lbs. (138 kg)	366 lbs. (166 kg)	<input type="checkbox"/>	<input type="checkbox"/>
<input type="checkbox"/> MDC27E	27	3	4.5" (11 cm)	61.5" (156 cm)	28.0" (71 cm)	53.5" (136 cm)	310 lbs. (141 kg)	380 lbs. (172 kg)	<input type="checkbox"/>	<input type="checkbox"/>

¹ 8" (20.3 cm) caster options increase overall cart height by 2" (5.1 cm).

³ Tow a maximum of two carts. Indoor use only.



FOR SERVICE AND WARRANTY INFORMATION

MDC Carts:
1 YEAR, Parts and Labor



SCAN CODE



TO WATCH ANIMATION!

MDC Tow Hitch Option Available!



Back Hitch



Front Tow Bar

- Telescoping tow-bar designed to stow away when not in use.
- Foot Pedal deployment allows easy access without having to bend over.
- Tow up to two carts safely indoors.

Visit aladdintemprite.com/patents for patent information.

250 E. Main St. | Hendersonville, TN 37075 | Customer Service: 800.888.8018 | Tech Service: 800.888.5426 | Fax: 888.812.9956 | aladdintemprite.com

©2025 Aladdin Temp-Rite.® All rights reserved. Note: Specifications are subject to change without notice.

S230919MDC Rev-3